



716F-LCF78-D01

7-16 DIN Female Connector for 7/8" Coaxial Cable, OMNI FIT™ Premium, Straight, O-Ring and compression sealing

OMNI FIT™ high performance connectors are designed for use with both CELLFLEX® (copper) and CELLFLEX® Lite (aluminium) cables. They are designed specifically to provide the highest quality connector-cable interface while simplifying and speeding up connector attachment. All RFS connectors are fully tested for mechanical and electrical compliance to industry specifications. The 7-16 connector is the most rugged RF connection meeting all requirements even under the most severe environmental conditions. Sealing against outer conductor and jacket by means of O-Ring and 360° compression fit. Multifunctional, self-lubricating HighTech polymer assembly locks on cable corrugation, avoids electrochemical potential differences and compression-fits to the jacket.



OMNI FIT™ Premium Connectors

FEATURES / BENEFITS

- Ultra high PIM performance i.e. reduced interference leading to high customer satisfaction
- Two-piece design i.e. visual inspection of interlocking leads to improved installation security
- OMNI FIT™ concept i.e. streamlined order management and reduced stock level
- Watertight sealing in mated and unmated condition, i.e. reduced efforts during installation and improved security during operation
- Unique NiTin plating i.e. extreme resistance against corrosion even under hardest climatic and environmental circumstances
- Multi-thread (Tristart) design i.e. simplified and accelerated tightening process
- RoHS (EU) and CRoHS (China) compliant i.e. can be used on a global basis

External Document Links

Notes

[Installation Instruction](#)

Technical features

GENERAL SPECIFICATIONS

Transmission Line Type		Coaxial Cable
Cable Size		7/8
Cable Type		Foam Dielectric
Model Series		LCF78-50 Series, RCF78-50 Series
Connector Interface		7-16 DIN
Connector Type		OMNI FIT™ PREMIUM Straight
Sealing Method		O-Ring + 360° Compression
Gender		Female

ELECTRICAL SPECIFICATIONS

Nominal Impedance, ohms	Ohm	50
3rd Order IM Product @ 2x20 Watts	dBc	-163 ; typical -167
Maximum Frequency	GHz	3.7
VSWR, Return Loss	VSWR (dB)	0 < f ≤ 1.0 GHz: 1.02 (40) 1.0 < f ≤ 2.7 GHz: 1.03 (36.6) 2.7 < f ≤ 3.7 GHz: 1.06 (30.7)



716F-LCF78-D01

7-16 DIN Female Connector for 7/8" Coaxial Cable, OMNI FIT™ Premium, Straight, O-Ring and compression sealing

MECHANICAL SPECIFICATIONS

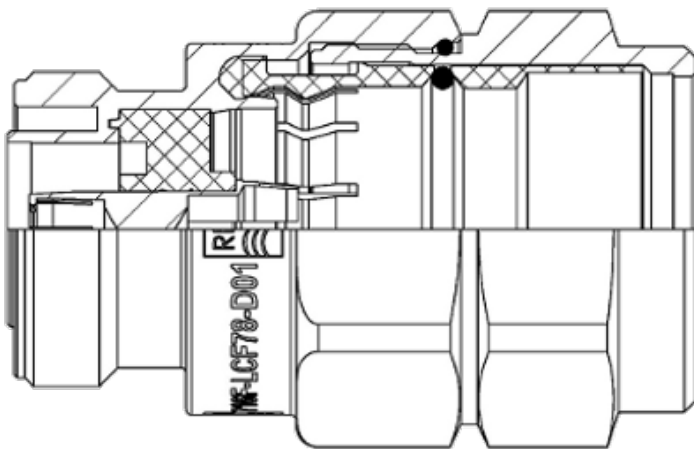
Plating Outer/Inner		NiTin/Silver
Length	mm (in)	61.95 (2.44)
Outer Diameter	mm (in)	40 (1.57)
Inner Contact Attachment		Spring Finger
Outer Contact Attachment		360° clamping

ACCESSORIES

Wrench size front	mm (in)	36 (1-7/16)
Wrench size rear	mm (in)	36 (1-7/16)
Trimming Tool		TRIM-78-L TRIM-SET-L78-D01 TRIM-LCF78-D01-A

TESTING AND ENVIRONMENTAL

Waterproof Level		IP68
-------------------------	--	------





716F-LCF78-D01

7-16 DIN Female Connector for 7/8" Coaxial Cable, OMNI FIT™ Premium, Straight, O-Ring and compression sealing

