



OMNI FIT™ high performance connectors are designed for use with both CELLFLEX® (copper) and CELLFLEX® Lite (aluminum) cables. They are designed specifically to provide the highest quality connector - cable interface while simplifying and speeding up connector attachment. The 4.3-10 connector is an innovative, space-saving RF connection meeting all requirements even under the most severe environmental conditions and not relying on coupling nut torque to meet PIM performance.

Hand-Screw attachment mechanism that is ideal for indoor and outdoor spaces where installation must be completed using only one hand.

FEATURES / BENEFITS

- Cost effective two-piece design for safe and easy installation
• Compatible with copper and aluminium cable types i.e. one connector for both outer conductor materials eliminates the risk of faulty connector installation and helps to keep inventory down
• Robust mechanical design for low and consistent intermodulation performance i.e. keeps the mobile network performance up reduces the number of dropped calls and avoids revenue losses
• Superior electrical performance for consistent and repeatable VSWR i.e. ensure network system performance
• Waterproof to IP 68 i.e. no downtime risk, secures revenue
• RoHS (EU) and CRoHS (China) compliant i.e. can be used on a global basis
• Hand-Screw Type connector could be torqued by hand, possesses special feature to prevent unwanted loosening of the coupling nut which could fit for both indoor and outdoor application where small installation space is required to accommodate one of the hands



43MH-LCF78-C03

External Document Links

Notes

Installation Instruction

Technical features

GENERAL SPECIFICATIONS

Table with 3 columns: Specification, Value 1, Value 2. Rows include Transmission Line Type (Coaxial Cable), Cable Size (7/8), Cable Type (Foam Dielectric), Model Series (LCF78-50 Series, RCF78-50 Series), Connector Interface (4.3-10 Hand-Screw), Connector Type (OMNI FIT™ Standard), Sealing Method (O-ring), Gender (Male).

ELECTRICAL SPECIFICATIONS

Table with 3 columns: Specification, Unit, Value. Rows include Nominal Impedance (50 Ohm), 3rd Order IM Product (dBc), Maximum Frequency (6.0 GHz), and VSWR, Return Loss (various frequency ranges).



MECHANICAL SPECIFICATIONS

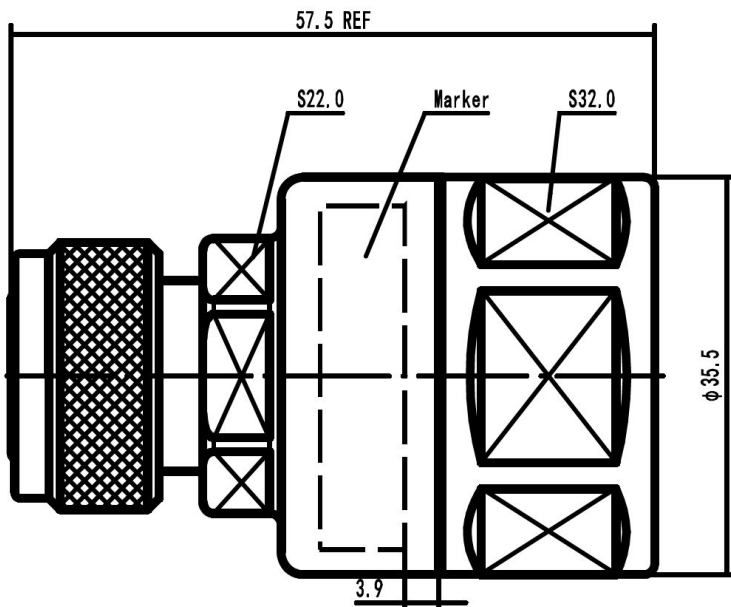
Plating Outer/Inner		Trimetal/Silver
Length	mm (in)	57.5 (2.26)
Outer Diameter	mm (in)	35.5 (1.4)
Inner Contact Attachment		Spring Finger
Outer Contact Attachment		Spring C-Ring

ACCESSORIES

Wrench size front	mm (in)	22 (0.87)
Wrench size rear	mm (in)	32 (1.26)
Trimming Tool		TRIM-SET-L78-C02

TESTING AND ENVIRONMENTAL

Waterproof Level		IP68
------------------	--	------



43MH-LCF78-C03 Outline drawing