



Hangers for the installation of Air Dielectric Cables on different supporting profiles.
Cable Clamp and Extended Counterbed hot-galvanized steel
Screw: stainless steel.

FEATURES / BENEFITS



picture shows the 1L4 version for illustration purpose only

Technical features

GENERAL SPECIFICATIONS

| | | |
|------------------------|--|---------------------------|
| Product Line | | Coaxial Cable Accessories |
| Product Type | | Hanger |
| Hanger Type | | Angle iron 40mm (1.575") |
| Transmission Line Type | | HCA400 |
| Cable Type | | Air Dielectric |

MECHANICAL SPECIFICATIONS

| | | |
|-------------------------------------|--------|--|
| Cable Size | | 4 |
| Material | | Cable Clamp : hot-dip galvanized Extended Counterbed : hot-dip galvanized Screw: Stainless steel |
| Recommended / Maximum Clamp Spacing | m (ft) | 0.8 / 1.2 (2.75 / 4) |

TEMPERATURE SPECIFICATIONS

| | | |
|-----------------------|---------|-------------------------|
| Operation Temperature | °C (°F) | -50 to 85 (-58 to 185) |
| Storage Temperature | °C (°F) | -50 to 85 (-58 to 185) |

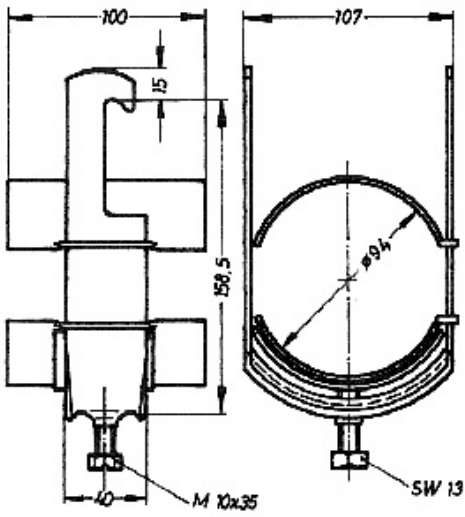
PACKAGING INFORMATION

| | | |
|------------------|---------|------------|
| Package Quantity | | 1 |
| Weight per piece | kg (lb) | 0.77 (1.7) |



HCH-400-1L4

Cable hanger for Air Dielectric Cable



External Document Links

Notes

Hangers for angle iron 40mm (1.575")