



Spare Main Blade for Automatic Trimming Tool TRIM-LCF12-D01-A

FEATURES / BENEFITS

- **Precision cable preparation tool**
Always exact and repeatable trimming dimensions
- **Intuitive use of tool**
Easy and precise preparation of cables for connector Installation
- **Long-lasting cutting blades**
Easy to clean, smooth dielectric surface improves IM performance
- **Optional battery drill drive**
Increased preparation speed



Technical features

STRUCTURE

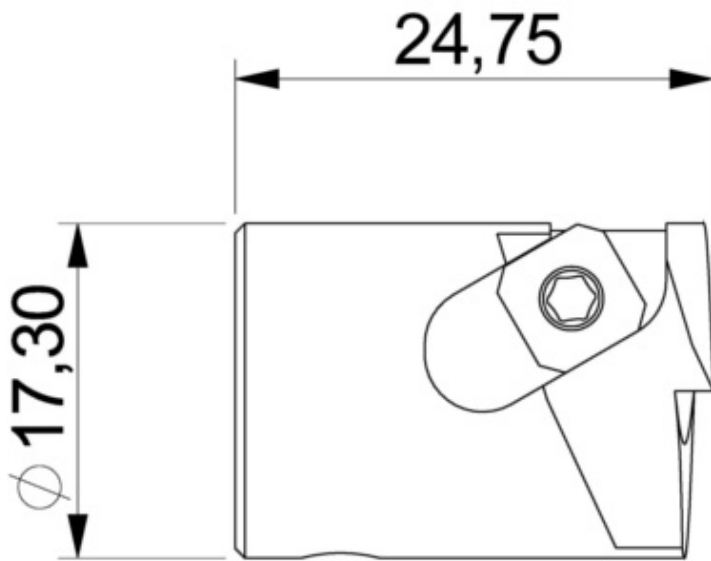
Product Line		Coaxial Cable Accessories
Product Type		Tool
Transmission Line Type		LCF12
Coaxial Cable Type		Foam Dielectric
Cable Size		1/2"
Type of Tool		Automated Cable Trimming Tool

MECHANICAL SPECIFICATIONS

Material		Non-corrosive metal
Length	mm (in)	24.75 (0.97)
Diameter	mm (in)	17.3 (0.38)

PACKAGING INFORMATION

Package Quantity		1
Weight per piece	kg (lb)	0.03 (0.07)



External Document Links

Notes