



**NF-LCF12-C03**

N Female Connector for 1/2" Coaxial Cable, OMNI FIT™ standard, O-ring sealing

OMNI FIT™ high performance connectors are designed for use with both CELLFLEX® (copper) and CELLFLEX® Lite (aluminum) cables. They are designed specifically to provide the highest quality connector-cable interface while simplifying and speeding up connector attachment.

**FEATURES / BENEFITS**

- Cost effective two-piece design for safe and easy installation
- Compatible with copper and aluminium cable types i.e. one connector for both outer conductor materials eliminates the risk of faulty connector installation and helps to keep inventory down
- Robust mechanical design for low and consistent intermodulation performance i.e. keeps the mobile network performance up reduces the number of dropped calls and avoids revenue losses
- Superior electrical performance for consistent and repeatable VSWR i.e. ensure network system performance
- Waterproof to IP 68 i.e. no downtime risk, secures revenue
- RoHS (EU) and CRoHS (China) compliant i.e. can be used on a global basis



NF-LCF12-C03

External Document Links

[Notes](#)

[Installation Instruction](#)

**Technical features**

**GENERAL SPECIFICATIONS**

<b>Transmission Line Type</b>		Coaxial Cable		
<b>Cable Size</b>		1/2		
<b>Cable Type</b>		Foam Dielectric		Radiating
<b>Model Series</b>		LCF12-50 Series	ICA12-50 Series	RCF12-50 Series
<b>Connector Interface</b>		N		
<b>Connector Type</b>		OMNI FIT™ Standard		
<b>Sealing Method</b>		O-ring		
<b>Gender</b>		Female		

**ELECTRICAL SPECIFICATIONS**

<b>Nominal Impedance, ohms</b>	Ohm	50
<b>3rd Order IM Product @ 2x20 Watts</b>	dBc	-157 ; typical -160
<b>Maximum Frequency</b>	GHz	6.0
<b>VSWR, Return Loss</b>	VSWR (dB)	0 &lt; f ≤ 1.0 GHz: 1.03 (36.6) 1.0 &lt; f ≤ 2.7 GHz: 1.04 (34.1) 2.7 &lt; f ≤ 3.7 GHz: 1.08 (28.3) 3.7 &lt; f ≤ 5.0 GHz: 1.15 (23.1) 5.0 &lt; f ≤ 6.0 GHz: 1.25 (19.1)



MECHANICAL SPECIFICATIONS

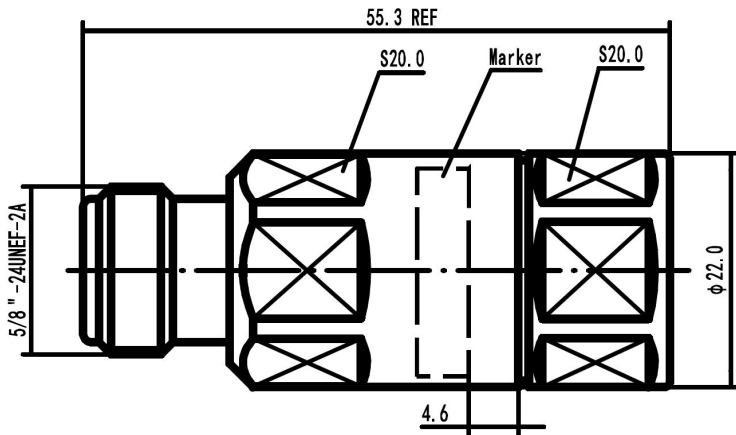
Plating Outer/Inner		Trimetal/Silver
Length	mm (in)	55.3 (2.2)
Outer Diameter	mm (in)	22 (0.87)
Inner Contact Attachment		Spring Finger
Outer Contact Attachment		Spring C-Ring

ACCESSORIES

Wrench size front	mm (in)	20 (13/16)
Wrench size rear	mm (in)	20 (13/16)
Trimming Tool		TRIM-SET-L12-C02

TESTING AND ENVIRONMENTAL

Waterproof Level		IP68
------------------	--	------



NF-LCF12-C03 Outline drawing