



Radio Frequency Systems' line of high performance coaxial cable connectors are designed specifically to provide the highest quality connector-cable interface while simplifying and speeding up the attachment of connectors to CELLFLEX® coaxial cables. RFS Technologies connectors are fully tested for mechanical and electrical compliance specifications. They are available in all popular cable sizes in a variety of mating interfaces. To join two cables with EIA connectors, two identical socket connectors are installed on either end of the cables to be joined, and a coupling element is used to make the connection of the center conductor. The coupling element must be ordered separately. Connectors are available in sizes matching the nominal cable size. EIA connectors provide optimal power handling for the complete transmission line system.



RAPID FIT™ Connectors

**FEATURES / BENEFITS**

- Single-piece design for Fast and Easy Installation  
Reliable and simple attachment avoids unnecessary connector adjustments and provides outstanding performance every time. Saves time and provides cost savings.
- Robust Mechanical Design  
Low and consistent intermodulation performance guarantees outstanding system sensitivity.
- Excellent Electrical Performance  
Consistent and repeatable low VSWR improves overall system performance and margin and reduces mismatch losses
- Totally Waterproof according to IP 68  
Assures safe, long term operation in the harshest of environments.

**Technical features**

**GENERAL SPECIFICATIONS**

<b>Transmission Line Type</b>		Coaxial Cable
<b>Cable Size</b>		1/2"
<b>Cable Type</b>		Foam Dielectric
<b>Connector Interface</b>		7/8" EIA
<b>Connector Type</b>		RAPID FIT™
<b>Sealing Method</b>		Sealing compound <sup>1</sup> )
<b>Gender</b>		None

**ELECTRICAL SPECIFICATIONS**

<b>3rd Order IM Product @ 2x20 Watts</b>	dBc	-156
<b>Maximum Frequency</b>	GHz	3.7
<b>VSWR, Return Loss</b>	VSWR (dB)	0 &lt; f ≤ 1.0 GHz: 1.02 (40.1) 1.0 &lt; f ≤ 2.7 GHz: 1.03 (36.6) 2.7 &lt; f ≤ 3.7 GHz: 1.06 (30.7)

**MECHANICAL SPECIFICATIONS**

<b>Plating Outer/Inner</b>		Silver/Silver
<b>Length</b>	mm (in)	85 (3.4)
<b>Outer Diameter</b>	mm (in)	57.2 (2.3)
<b>Inner Contact Attachment</b>		Self Tapping
<b>Outer Contact Attachment</b>		Spring Finger

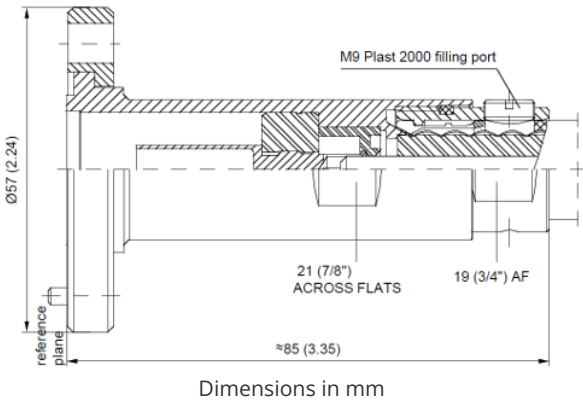


ACCESSORIES

Wrench size front	mm (in)	21 (7/8")
Wrench size rear	mm (in)	19 (3/4")
Trimming Tool		TRIM-SET-L12-D01 but with special handling

TESTING AND ENVIRONMENTAL

Waterproof Level		IP68
Sealing Volume, cm <sup>3</sup> (ounces)	cm <sup>3</sup> (ounces)	5 (0.18)



External Document Links  
[Installation Instruction](#)

Notes  
1) The sealing compound must be ordered separately.